

thermo Sphere

BT21 Programmable Bluetooth Thermostat



Control your underfloor heating with a simple manual dial or connect to bluetooth to unlock more features including customised scheduling and other settings.

- Simple manual temperature dial.
- Easy to program via the bluetooth app.
- Built in ambient temperature sensor.
- External floor temperature sensor.
- Optional wireless temperature sensor.
- Copy and paste your settings and schedule between multiple thermostats.
- Can be used for snow melting applications.
- Setback signal terminal for BMS applications.
- Made in the EU.



DESIGNED AND MADE
IN GREAT BRITAIN

ONE TREE PLANTED
FOR EVERY SYSTEM SOLD

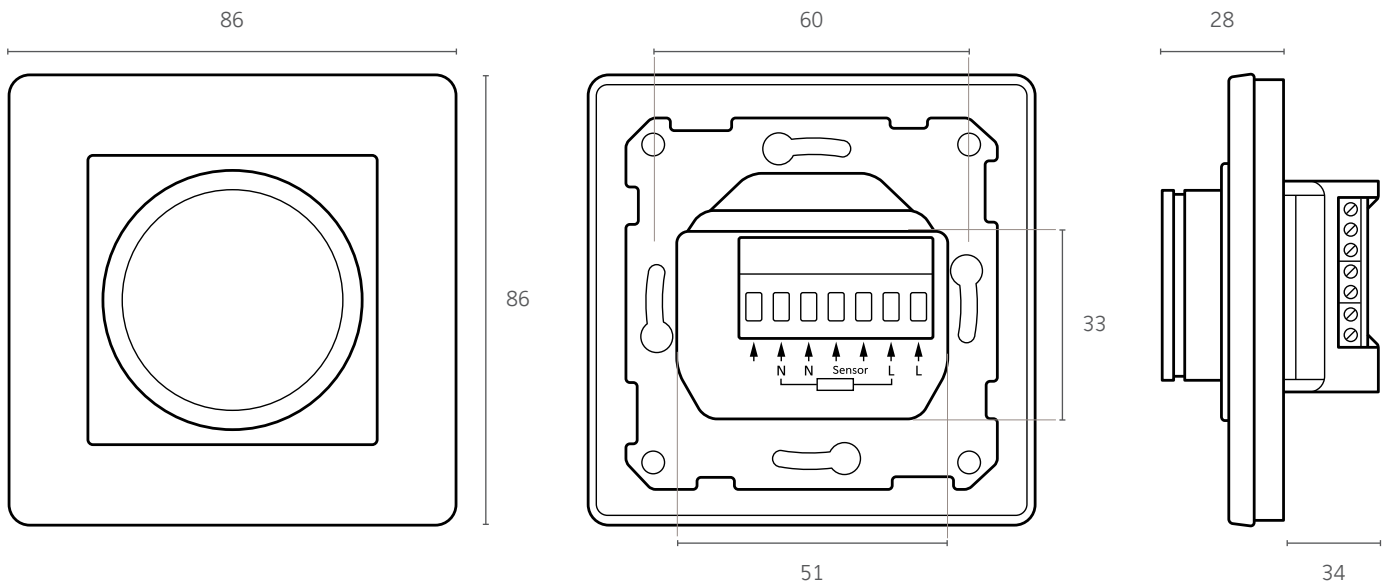
Live well...

Technical data

Voltage	230V 50Hz
Maximum load	16 Amps
Connectivity	Bluetooth 4.2
Ambient temperature	+5°C to +35°C
Dimensions	W 86 x H 86 x D 10mm
Protection rating	IP21
Mounting	25mm deep back box
Temperature sensors	Built in ambient. External NTC10K floor sensor
Other compatible sensors	NTC 2k, 12.5k, 15k, 33k @ 25°C
Warranty	3 years

thermo Sphere

Product dimensions



The BT21 app

Use bluetooth to connect your phone to your thermostat and access all of the settings, scheduling and energy use statistics.

If you have more than one thermostat you can copy schedules and settings between them.

Box contents

- BT21 Thermostat.
- Fixing screws.
- Floor sensor probe.
- Installation guide.

